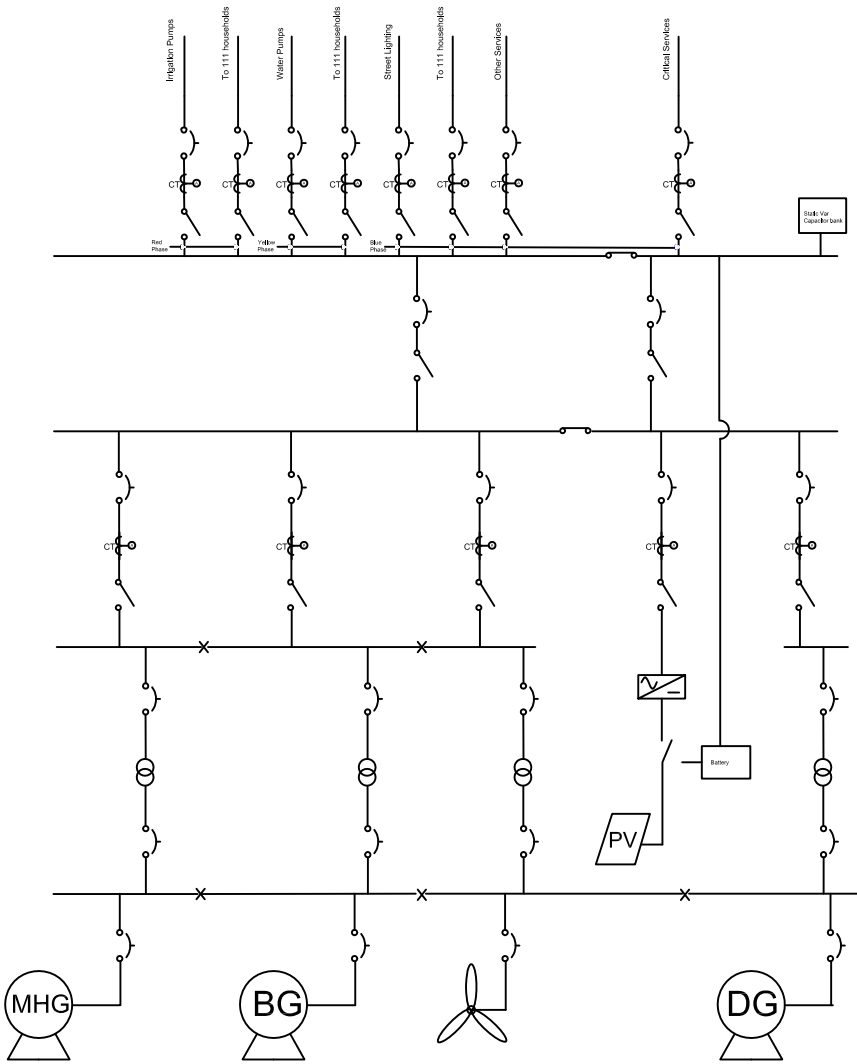


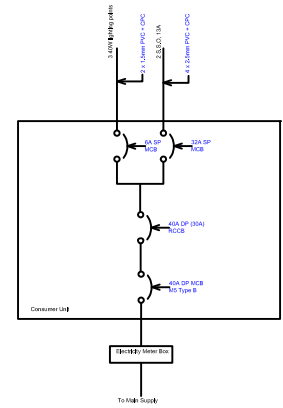
SINGLE LINE DIAGRAM OF MICROGRID

for a village with 333 households,
1 school, 1 clinic,
street lighting, water and irrigation pumps



SINGLE LINE DIAGRAM OF TYPICAL VILLAGE HOUSEHOLD, BIHAR

3 40W Fluorescent Lights,
2 Switch Socket Outlets for TV/Radio/Refridgerator



KEY

	Biomass Generator		Wind Turbine & Generator		Isolator		Switch
	Diesel Generator		Solar Array		2 Winding Transformer		
	Micro Hydroelectric Generator		Current Transformer with Meter		Circuit Breaker		

Notes:

1. This single line diagram provides an overview of a potential microgrid installation for a village in Bihar, India.
2. All installations must be in compliance with the Bihar Electricity Regulatory Commission standards.

Project Title:

Microgrids: A Review

Done By:

Goh MingRui Marie
Catherine Hlorns
Daniel Mewton
Ali Al-Hakim
Parul Kothari
Eugene Lau